



TH160

Sectional Thermal Doors

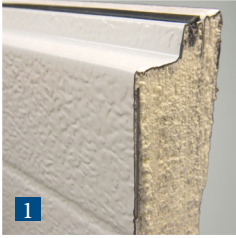


Maximum Thermal Protection

For maximum thermal protection, choose Raynor's TH160, our durable, energy-efficient sectional door. Our exclusive process fills 100% of the door's interior space with energy-saving polyurethane foam insulation to deliver exceptional R-values. This process also provides superior foam density for excellent structural integrity. With standard features like the corrosive resistant rigid aluminum retainer and the EPDM rubber floor seal, the TH160 is built to last!

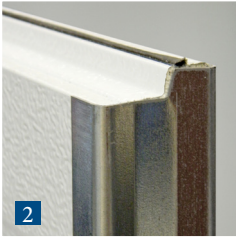
Max. Opening Width	Max. Opening Height	Construction	Surface Texture	Section Thickness	Exterior/Interior Steel Thickness	End Stile Steel Thickness	Insulation (R-Value)	Thermal Break	Exterior Colors	Section Limited Warranty
28'-0"	24'-0"	Steel Sandwich	Stucco	1 7/8"	26-Gauge / 26-Gauge	16-Gauge	Polyurethane Foam (14.86)	Yes	White	10-Year (Rust-Through and Delamination)

Features and Benefits



Maximum Thermal Protection.

Energy-saving polyurethane foam insulation is used to deliver exceptional R-Values.



Reduced Airflow.

Dual vinyl barriers dramatically reduce air infiltration. A true thermal break prevents heat loss and eliminates any metal-to-metal contact between surfaces.



Rugged Hardware and Springs.

Your TH160 door comes packaged with the right combination of long-lasting hardware, track and springs to precisely match your door's size and application. A QuikClip™ pre-assembled track option is also available.

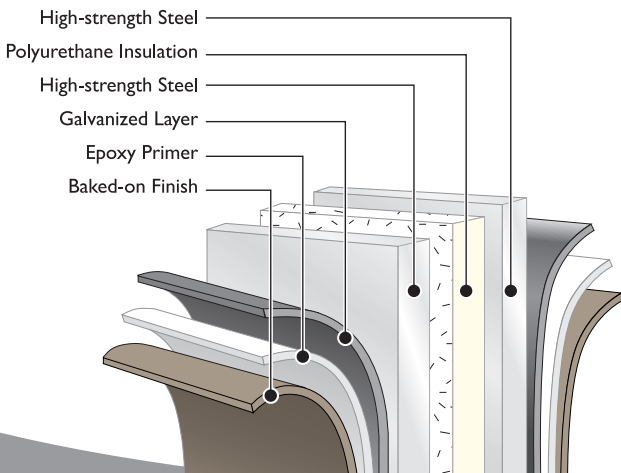


Decreased Energy Costs.

TH160 doors help reduce energy costs with a U-shaped, vinyl bottom weatherseal and sturdy aluminum retainer.



Sectional Detail



Exclusively Distributed by: